

Model STACRW4-8

AC Servo Drive Automatic Turret Rewinder (For Small Rolls)

The **STACRW4-8** is an excellent choice for high speed winding of small rolls, as it has the shortest cycle time of our Turret rewinders. It packs a lot of user friendly features into an ultra compact design.



SPECIFICATIONS

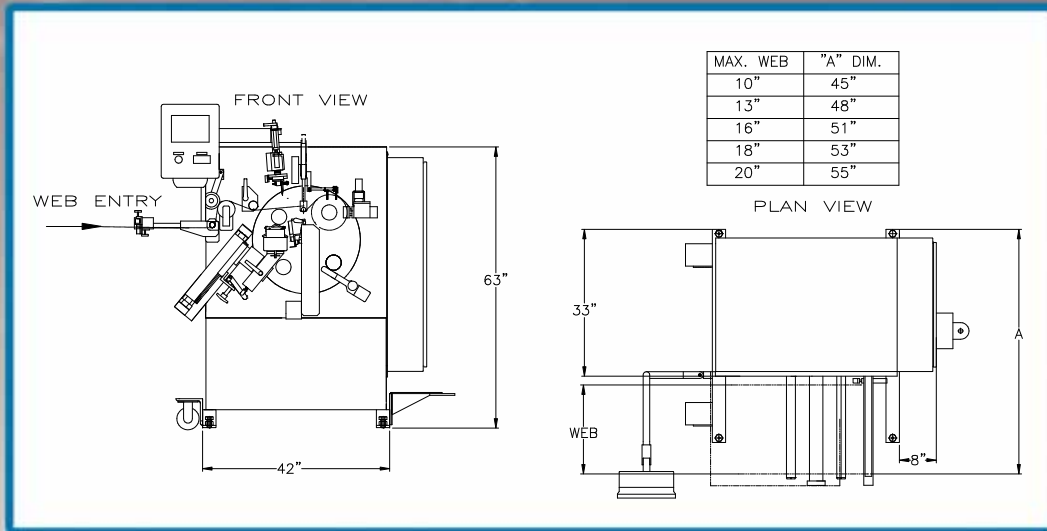
- Web Widths: 10", 13", 16", 18", 20"
- Maximum Roll Diameter: 8"
- Core Diameters: To 3"
- Line Speed: To 500 FPM
- Electrical: 220 Volts, three phase
- Pneumatic: 80 PSI 3/8" line.
Negligible air consumption



www.ctcint.com

Model STACRW4-8

AC Servo Drive Automatic Turret Rewinder (For Small Rolls)



STANDARD FEATURES

- Rugged steel plate construction
- Fastest job change over system (Only one bolt per air shaft)
- Fast operator learning curve
- Ultra compact design
- Shortest web part for simplest set-up
- AC Servo drives for precise tension control
- Fastest Cycling time for small rolls
- Turret can run at speeds up to 500 FPM on 1" shafts
- Slide out core glue pot with "doctor blade" glue wheels
- Just in Time core gluing for fugitive glues
- Automatic Tail Glue
- 7 day programmable glue timer clock
- Encoder is on the turret so you don't need one for each press
- Cantilever Construction
- 1" Air Shafts with bleeder valves for instant core re-positioning
- Auto air shaft inflate/deflate system
- Allen Bradley PLC Control
- Count in feet or meters
- Graphical touch screen control system – adjustable height
- Multiple job memory system
- Press e-stop connection
- Convenient "Roll-top" safety guarding
- Accurately sized air shafts for best finished roll quality
- Auto swing-back core stop
- Left or right hand models available

OPTIONS

- Automatic roll eject
- Automatic core loader
- Semi-automatic core loader
- Finished roll transport conveyor
- Different air shaft diameters
- CE Compliance
- Modem for remote diagnostics, program modifications and software upgrades
- Precise Count/Cut between labels
- Unique tricycle gear caster system
- Slitting
- Telescoping Trimming bar for fast machine alignment to press
- Glueless Start
- Coreless Start
- High speed tail label roll closure system
- End of roll pen marking system



11 York Avenue / P.O. Box 1137 / West Caldwell, New Jersey 07006
Telephone (973) 228-2300 / Fax No. (973) 228-7076
Email: info@ctcint.com / www.ctcint.com

INTERNATIONAL INC.