

# Model STACRW4-13

AC Servo Drive Automatic Turret Rewinder (For Medium Size Rolls)

The **STACRW4-13** is an excellent selection when you require the flexibility to wind both small diameter rolls on small spindles, and the larger diameter rolls on larger spindles. It packs a lot of user friendly features in a compact design!



## SPECIFICATIONS

- |  |
|--|
| • Web Widths: 10", 13", 16", 18", 20", 22", 24"                |
| • Maximum Roll Diameter: 13"                                   |
| • Core Diameters: 1"-4"  |
| • Line Speed: 500 FPM  |
| • Electrical: 220 volts, three phase                           |
| • Pneumatic: 80 PSI X 3/8" line.<br>Negligible air consumption |



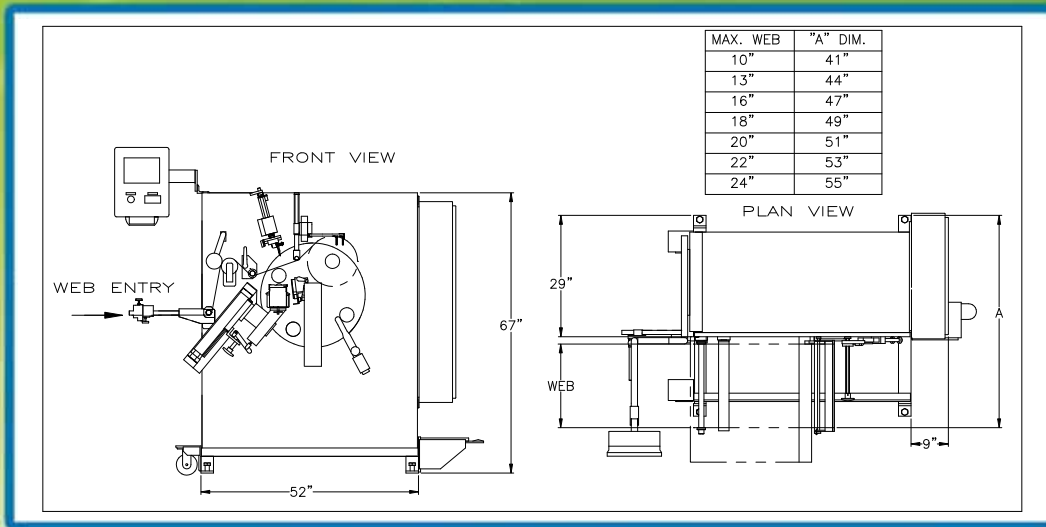
Slide Out Glue Pot



[www.ctcint.com](http://www.ctcint.com)

# Model STACRW4-13

## AC Servo Drive Automatic Turret Rewinder (For Medium Size Rolls)



### STANDARD FEATURES

- Rugged steel plate construction
- Fast job change over system
- Fast operator learning curve
- Compact design
- Short web part for simplest set-up
- AC Servo drives for precise tension control
- Fast Cycling time
- Slide out core glue pot with "doctor blade" glue wheels
- Just in Time core gluing for fugitive glues
- Automatic Tail Glue
- 7 day programmable glue timer clock
- Encoder is on turret so you don't need one for each press
- Cantilever Construction
- 3" Air Shafts with bleeder valves for instant core re-positioning
- Auto air shaft inflate/deflate system
- Allen Bradley PLC control
- Count in feet or meters
- Graphical touch screen control system – adjustable height
- Multiple job memory system
- Press e-stop connection
- Convenient "Roll-top" safety guarding
- Accurately sized air shafts for best finished roll quality
- Auto swing-back core stop
- Left or right hand models available

### OPTIONS

- Automatic roll eject
- Automatic core loader
- Finished roll transport conveyor
- Different air shaft diameters
- CE Compliance
- Modem for remote diagnostics, program modifications and software upgrades
- Precise Count/Cut between labels
- Unique tricycle gear caster system
- Slitting
- Telescoping Trimming bar for fast machine alignment to press
- Glueless Start
- High speed tail label roll closure system
- End of roll pen marking system



11 York Avenue / P.O. Box 1137 / West Caldwell, New Jersey 07006  
Telephone (973) 228-2300 / Fax No. (973) 228-7076  
Email: info@ctcint.com / www.ctcint.com

**INTERNATIONAL INC.**