

Model STACRW2-24

AC Servo Drive Automatic Turret Rewinder (For Large Rolls)

The **STACRW2-24** is an excellent selection for winding larger rolls and also winding solid webs that are difficult to cut. The retractable shear cut knife provides the cleanest cut attainable on the widest range of materials.



Shear Cut Knife

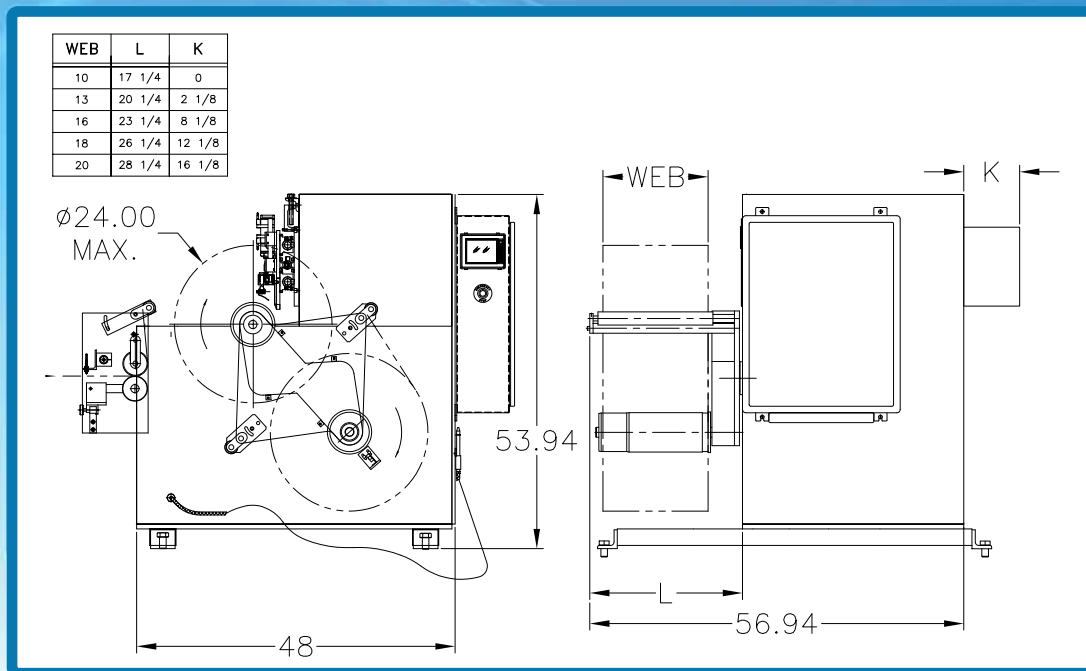
SPECIFICATIONS

- | |
|--|
| • Web Widths: 13" – 24" |
| • Maximum Roll Diameter: 24" or 33" |
| • Core Diameters: to 6" |
| • Line Speed: To 500 FPM |
| • Electrical: 220 volts, three phase |
| • Pneumatic: 80 PSI X 3/8" line.
Negligible air consumption |



Model STACRW2-24

AC Servo Drive Automatic Turret Rewinder (For Large Rolls)



STANDARD FEATURES

- Touchscreen operator interface
- Rugged steel plate construction
- Fastest job change over system (Single bolt air shaft changeover)
- Fast operator learning curve
- Super compact design
- Shortest web part for simplest set-up
- AC Servo drives for precise tension control
- Shear or puncture cut knife available.
- Encoder is on turret so you don't need one for each press
- Cantilever Construction
- 3" Air Chucks
- Industry standard PLC Control
- Count in feet or meters
- Multiple job memory system
- Press e-stop connection
- Accurately sized air chucks for best finished roll quality
- Left or right hand models available

OPTIONS

- Larger Size Model for up to 33" O.D.
- Different air shaft diameters
- CE Compliance
- Modem for remote diagnostics, program modifications and software upgrades
- Precise Count/Cut between labels
- Unique tricycle gear caster system
- Slitting
- Telescoping Trimming bar for fast machine alignment to press



11 York Avenue / P.O. Box 1137 / West Caldwell, New Jersey 07006
Telephone (973) 228-2300 / Fax No. (973) 228-7076
Email: info@ctcint.com / www.ctcint.com

INTERNATIONAL INC.